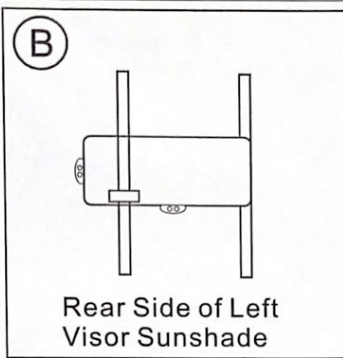
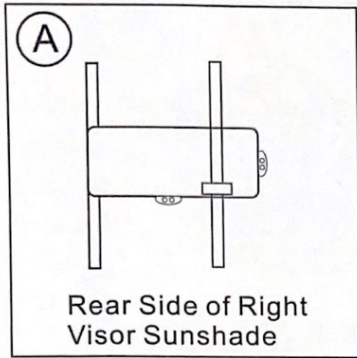
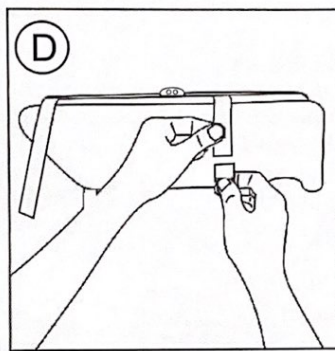
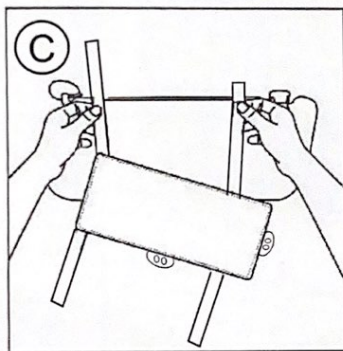


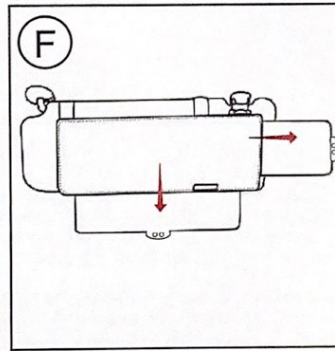
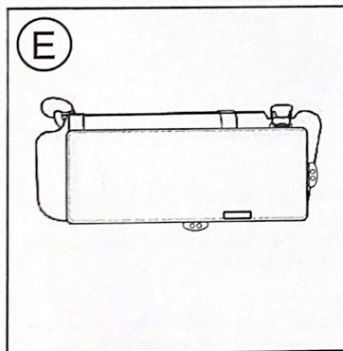
# Instructions



1. When you install it on the Left / Right hand side, as shown in Figure A / B. The length of tapes can be adjusted and employed for fast open and close with velcro straps.



2. In Figure C, adjust your original sun visor to vertical status and install this extender on any side of sun visor.  
 3. In Figure D, adjust the length of tapes, pull the two velcro straps together and get it fastened on the visor.



4. Finish its installation, as Figure E.  
 5. You can pull and push these two panels to the horizontal and vertical direction to block sun glare, as shown in Figure F.

Note:  
 You can cut off the tapes to appropriate length if they are too long for your sun visor.

# How to Store

